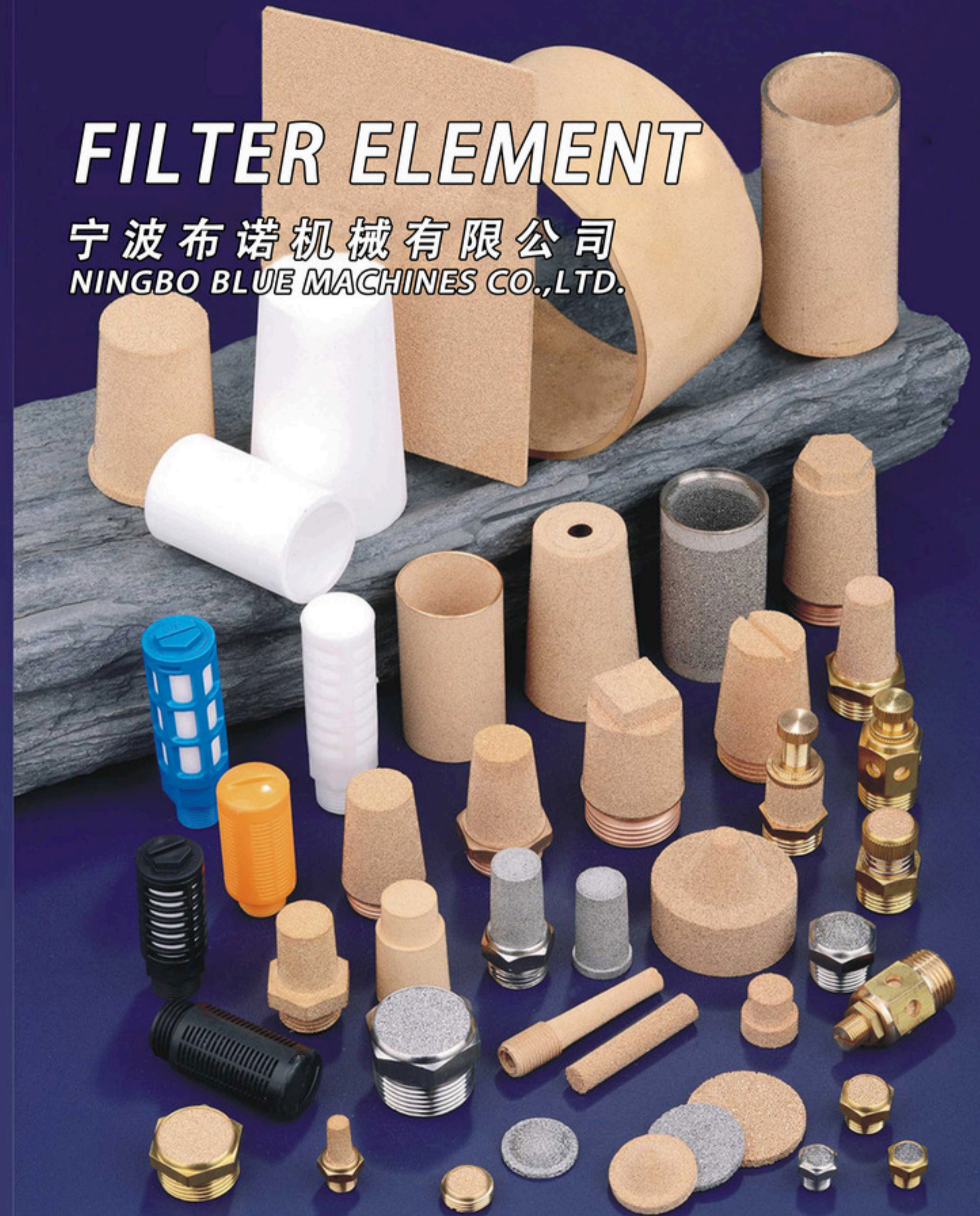


# FILTER ELEMENT

宁波布诺机械有限公司  
NINGBO BLUE MACHINES CO.,LTD.



地址：浙江省宁波市奉化区溪口镇大岙工业区迎鑫三路15号  
ADD: 15#, YingXin 3 Road, DaAo Industrial .xikou Town,  
Fenghua Ningbo, Zhejiang, china.

电话/Tel: +86 574 8622 9895  
手机/Cell: +86 153 5516 5206  
邮编/PC: 315502  
Email: [info@sinteredfilter.net](mailto:info@sinteredfilter.net)  
<https://www.sinteredfilter.net/>



## 公司简介 Company Profile

宁波布诺机械有限公司位于宁波以西30公里的著名国家级风景旅游区溪口镇(蒋介石故里), 本公司具有深厚的技术力量和强大的生产能力。配备各种专业生产设备; 专业生产各类铜基烧吉滤芯、滤片、气动元件消音器、消声节流阀、含油轴承等各类气源处理元件。公司于2005年又相继开发出聚乙烯塑料滤芯和高精度过滤芯(过滤精度高达0.1um, 可有效过滤细菌)。

产品用途: 主要用于空气、水、油等物质的过滤、消声, 是净化空气、水、油质量的最佳产品。

公司本着诚信为本、质量第一、精益求精的企业宗旨, 欢迎广大新老客户惠顾本厂。

Ningbo Blue Machines Co., Ltd. is located in Xikou Town (the hometown of Chiang Kai-shek), a famous national scenic tourist area 30 kilometers west of Ningbo.

The company has profound technical force and strong production capacity. Equipped with various professional production equipment; professional production of various types of copper-based burnt filter elements, filters, pneumatic components mufflers, muffler throttle valves, oil bushings and other air source processing components. In 2005, the company successively developed polyethylene plastic filter elements and high-precision filter elements (filter precision up to 0.1um, which can effectively filter bacteria).

Product use: Mainly used for filtering and muting air, water, oil and other substances. It is the best product for purifying air, water and oil.

In line with the corporate tenet of integrity-based, quality first, and excellence, the company welcomes new and old customers to visit our factory.

## 消声器系列 Series Muffler



消声器系列 Series Muffler



不锈钢过滤元件 Sintered Stainless Steel Filter Element



铜粉烧结过滤元件 Sintered Bronze Filter Element



塑料过滤元件 Sintered Plastic Filter Element

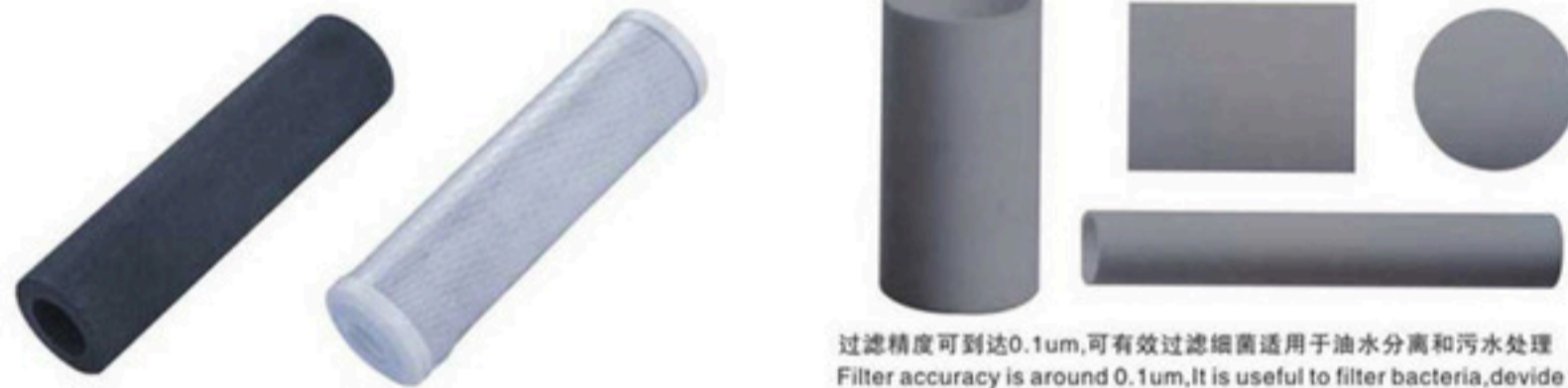


● 活性炭滤芯 Activate Carbon Filter



● 活性炭滤芯 Activate Carbon Filter

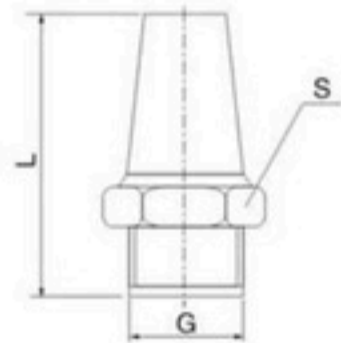
● 高密度滤片系列 High definition Filter chip series



过滤精度可达到0.1um,可有效过滤细菌适用于油水分离和污水处理  
Filter accuracy is around 0.1um, It is useful to filter bacteria, devide water and oil and treatment of sewage

● BSL-A型消声器 BSL-A Type Series Muffler

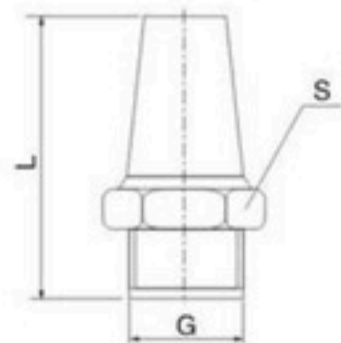
■ 外观图/overall Dimension



型号 Model	主要尺寸/Dimension	
	L	S
M5 *	17	8
1/8 *	24	13
1/4 *	33	17
3/8 *	44	22
1/2 *	49	24
3/4 *	57	30
1 *	72	36
1 1/4 *	77	46
1 1/2 *	83	52
2 *	105	64

● BSL-B型消声器 BSL-B Type Series Muffler

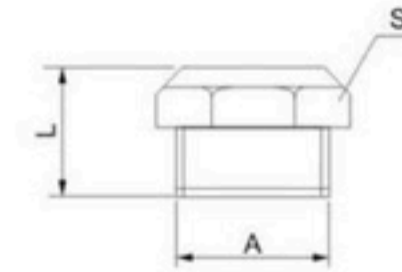
■ 外观图/overall Dimension



型号 Model	主要尺寸/Dimension	
	L	S
M5 *	19	8
1/8 *	23	12
1/4 *	27	15
3/8 *	36	18
1/2 *	40	21
3/4 *	48	27
1 *	62	34
1 1/4 *	83	46
1 1/2 *	92	53
2 *	108	64

● V-A型消声器 V-A Type Series Muffler

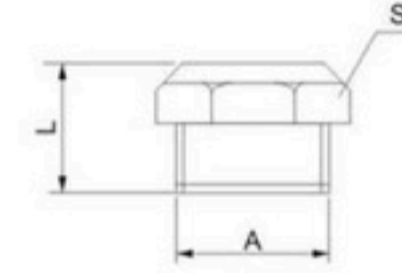
■ 外观图/overall Dimension



型号 Model	主要尺寸/Dimension	
	L	S
M5 *	7.5	8
1/8 *	9.5	13
1/4 *	11	16
3/8 *	12.5	19
1/2 *	13.5	24
3/4 *	17	30
1 *	20.5	36

● V-B型消声器 V-B Type Series Muffler

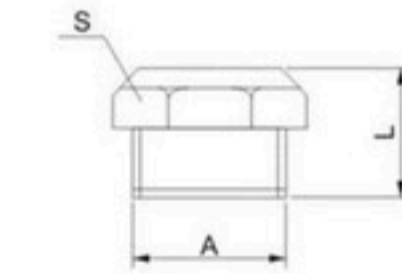
■ 外观图/overall Dimension



型号 Model	主要尺寸/Dimension	
	L	S
M5 *	9	8
1/8 *	11	12
1/4 *	12.5	15
3/8 *	15	18
1/2 *	16	21
3/4 *	18	27
1 *	20	34

● BSL-SSM型消声器 BSL-SSM Type Series Muffler

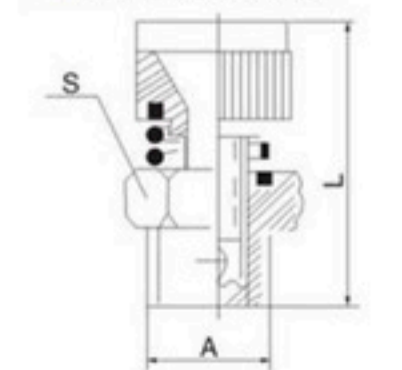
■ 外观图/overall Dimension



型号 Model	主要尺寸/Dimension	
	L	S
1/8 *	15	12
1/4 *	16	15
3/8 *	20	18
1/2 *	21	21
3/4 *	24	27
1 *	27	34

● 调速消声器SD型 SD Type of Timing Muffler

■ 外观图/overall Dimension



型号 Model	主要尺寸/Dimension	
	L	S
1/8 *	23	12
1/4 *	28	14
3/8 *	34	17
1/2 *	36	21
3/4 *	33	27
1 *	35	34

● 消声排气节流阀B型  
B Type Exhaust Muffler Throttle Valve



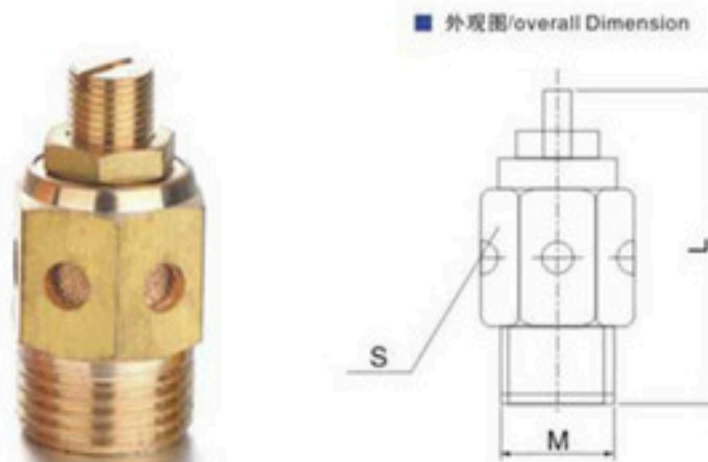
型号 Model	主要尺寸/Dimension	
	L	S
1/8"	35	12
1/4"	37	14
3/8"	45	17
1/2"	50	21
3/4"	60	27
1"	76	34

● 消声排气节流阀C型  
C Type Exhaust Muffler Throttle Valve



型号 Model	主要尺寸/Dimension	
	L	S
1/8"	35	12
1/4"	38	15
3/8"	38	17
1/2"	42	21
3/4"	47	27
1"	58	34

● 消声排气节流阀PDK型  
PDK Type Exhaust Muffler Throttle Valve



型号 Model	主要尺寸/Dimension	
	L	S
1/8"	35	12
1/4"	36	15
3/8"	44	17
1/2"	50	21
3/4"	60	27
1"	75	34

● 消声排气节流阀PS型  
PS Type Exhaust Muffler Throttle Valve



型号 Model	主要尺寸/Dimension	
	L	S
1/8"	38	13
1/4"	38	16
3/8"	52	22
1/2"	53	22
3/4"	70	30
1"	70	36

● SP型消声器  
SP Type Series Muffler



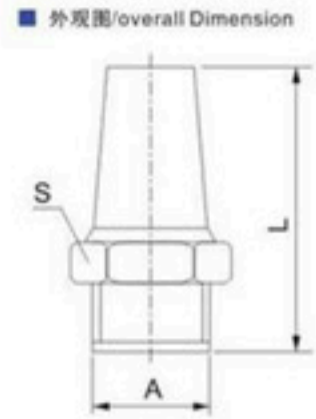
型号 Model	主要尺寸/Dimension	
	L	S
1/8"	5	6
1/4"	6	8
3/8"	7	10
1/2"	8	15
3/4"	9	20
1"	10	26

● SSDV型消声器  
SSDV Type Series Muffler



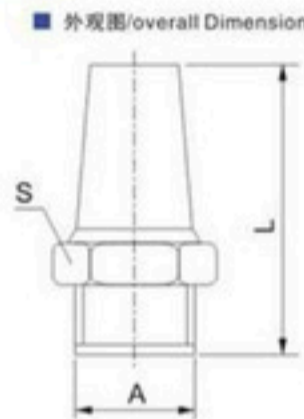
型号 Model	主要尺寸/Dimension	
	L	S
1/8"	15	12
1/4"	20	17
3/8"	20	19
1/2"	22	22
3/4"	24	27
1"	27	34

● BSL-SSA型消声器 BSL-SSA Type Series Muffler



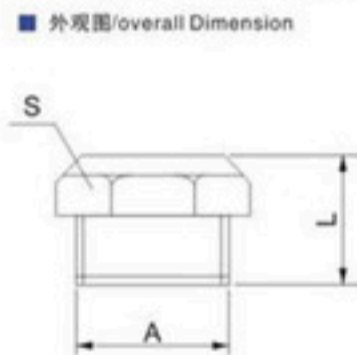
型号 Model	主要尺寸/Dimension	
	L	S
1/8"	25	12
1/4"	34	17
3/8"	44	19
1/2"	45	22
3/4"	55	27
1"	68	34

● BSL-SEB型消声器 BSL-SEB Type Series Muffler



型号 Model	主要尺寸/Dimension	
	L	S
10-32cmF	18	8
1/8"	22	11
1/4"	35	14
3/8"	38	17
1/2"	47	22
3/4"	57	27
1"	73	34
1 1/4"	83	43
1 1/2"	93	51

● BSL-SSM型消声器 BSL-SSM Type Series Muffler



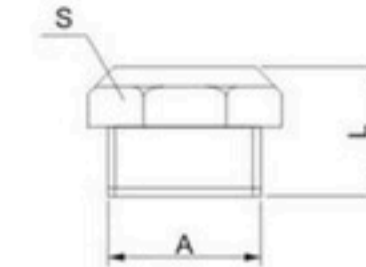
型号 Model	主要尺寸/Dimension	
	L	S
1/8"	13	12
1/4"	17	17
3/8"	19	19
1/2"	20	22
3/4"	22	27
1"	25	34

● V-A型消声器 V-A Type Series Muffler



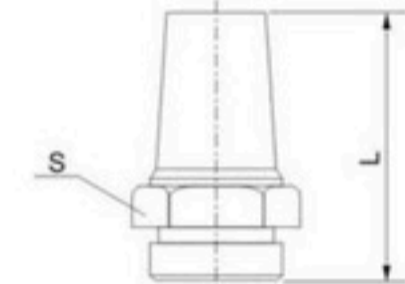
型号 Model	主要尺寸/Dimension	
	L	S
M5	7.5	8
1/8"	9.5	12
1/4"	11	17
3/8"	12.5	19
1/2"	13.5	22
3/4"	17	27
1"	20.5	34

● BSL-SEBM型消声器 BSL-SEBM Type Series Muffler



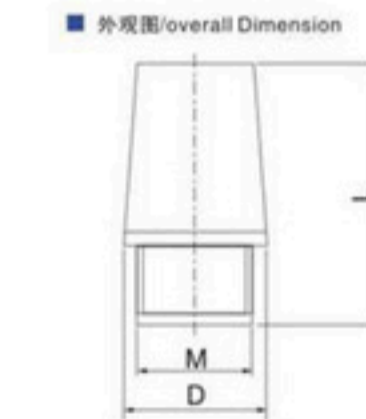
型号 Model	主要尺寸/Dimension	
	L	S
M5	8	8
1/8"	11	11
1/4"	16	14
3/8"	19	17
1/2"	22	22
3/4"	25	27
1"	33	33

● SBE型消声器 SBE Type Series Muffler



型号 Model	主要尺寸/Dimension	
	L	S
1/8"	23	12
1/4"	26.5	15
3/8"	35	18
1/2"	40.5	23
3/4"	51.5	30
1"	66	36
M5	30	8

● SC型消声器 SC Type Series Muffler



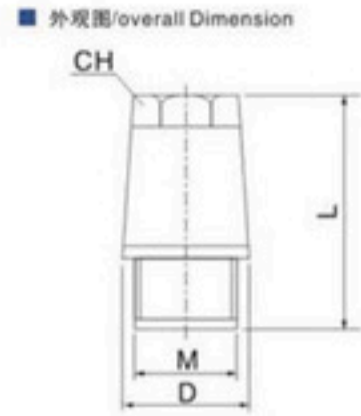
型号 Model	主要尺寸/Dimension	
	L	D
1/8"	21.5	11.5
1/4"	25.5	15
3/8"	36	17.5
1/2"	40.5	21.5
3/4"	47	28
1"	63	36

● SCQ型消声器 SCQ Type Series Muffler



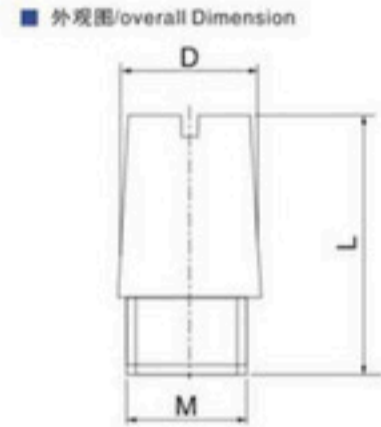
型号 Model	主要尺寸/Dimension		
	L	D	CH
1/8"	21	11.5	7
1/4"	25	15	8
3/8"	36	19	10
1/2"	43	23	14
3/4"	53	29	17
1"	62.5	36	22.5

● SET型消声器 SET Type Series Muffler



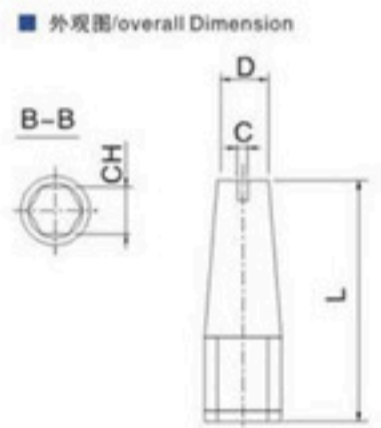
型号 Model	主要尺寸/Dimension		
	L	D	CH
1/8"	21	11.5	8
1/4"	28.5	15	10
3/8"	37	19	13
1/2"	47	23	14
3/4"	56	30	18.5
1"	68	36	23.5

● D型消声器 D Type Series Muffler



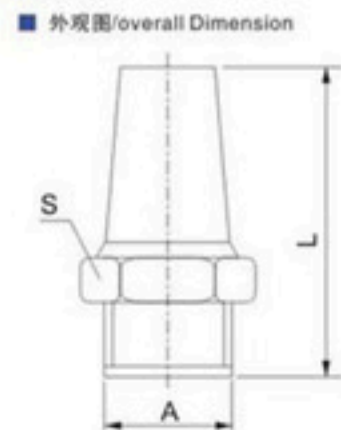
型号 Model	主要尺寸/Dimension	
	D	L
1/8"	11	22
1/4"	13	25
3/8"	18.5	36.5
1/2"	22.5	43.5
3/4"	27.5	52
1"	34.5	56

● G型消声器 G Type Series Muffler



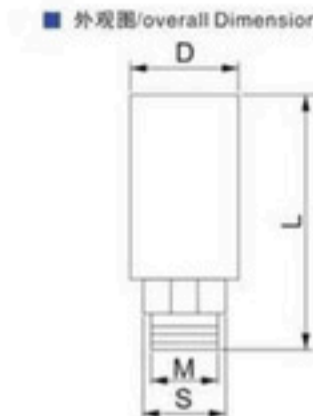
型号 Model	主要尺寸/Dimension		
	L	D	CH
1/8"	60	7	5
1/4"	63	7.5	5

● E型消声器 E Type Series Muffler



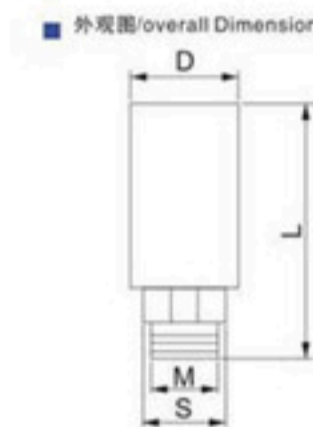
型号 Model	主要尺寸/Dimension	
	L	S
1/8"	25	12
1/4"	34	16.5
3/8"	37	21.5
1/2"	44	26
3/4"	52	31.5
1"	64	40.5

● PST型消声器 PST Type Series Muffler



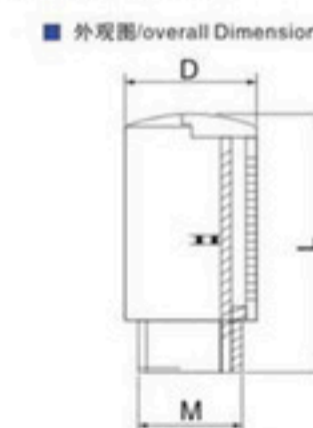
型号 Model	主要尺寸/Dimension		
	L	S	D
1/8"	39	11.5	12
1/4"	65	17	21
3/8"	84.5	24.5	21
1/2"	93	26	30

● PSU型消声器 PSU Type Series Muffler



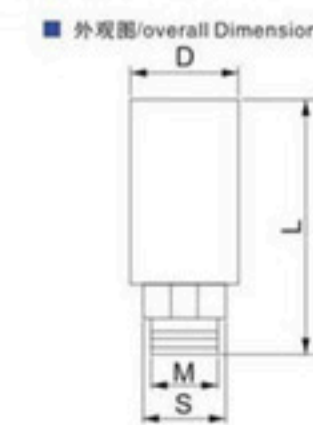
型号 Model	主要尺寸/Dimension	
	L	S
1/8"	37	15
1/4"	65	17.5
3/8"	83	21
1/2"	93	22.5
3/4"	102	33
1"	102	32.5

● SU型消声器 SU Type Series Muffler



型号 Model	主要尺寸/Dimension	
	L	S
1/8"	33	16
1/4"	41	19.5
3/8"	54	24
1/2"	54	24
3/4"	113.5	48
1"	113	48

● PSE型消声器 PSE Type Series Muffler



型号 Model	主要尺寸/Dimension	
	L	S
1/8"	39	11.5
1/4"	63	18
3/8"	67.5	18
1/2"	84	21.5
3/4"	102	33
1"	102	32.5